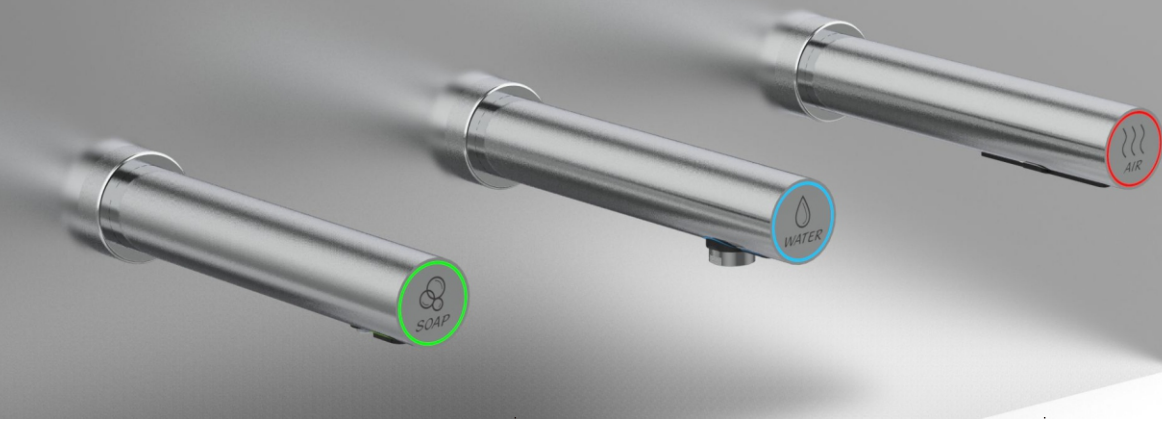


EcoTap

Wall-Mounted Wash Station



Soap Dispenser

Hands free

Foam and liquid available

High quality sensor

Long life cycle

Stainless steel #304

Faucet

Hands free

All in one design

Stainless steel #304

Auto detecting sensing range

Hand Dryer

Hands free

Intelligent temperature control technology

Energy-saving

IP35

Carbon filter assembly



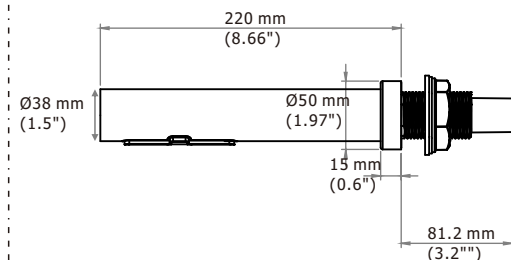
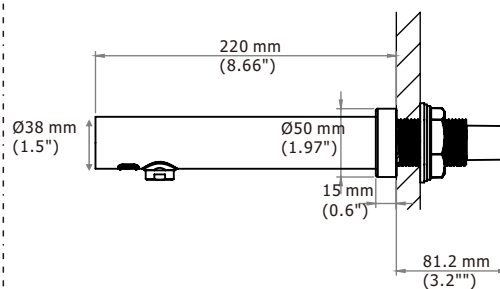
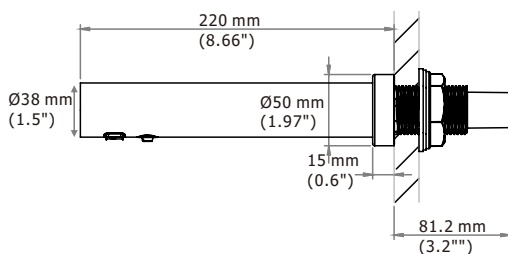
EcoTap-W SD



EcoTap-W FA



EcoTap-W HD



Soap Dispenser

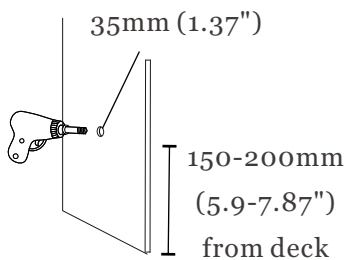
Technical Specification

Material	Stainless Steel #304
Power Source	AC (6V)
Standby Power	0.14W
Sensing Range	120 mm \pm 20 mm auto detecting, adjustable
Soap Volume	1-1.5 ml (liquid), 0.6-0.8 (foam)
Soap Pump Life Cycle	100k
Mechanism Life Cycle	500k
Soap Bottle	1,500 ml
Drip Proof	IP35
Safety Approval	CE
Packaging	6 dispensers/carton. G.W. 14.0kg. Meas. 4.6'

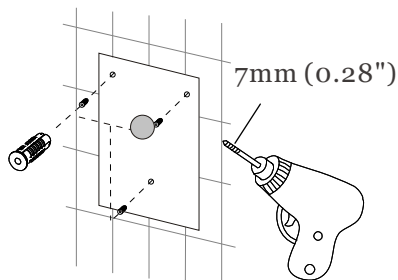
Light Indication

Standby	Solid green light
Operation	From green light to red light
Wrong Type of Soap	Flashing green and red light
Empty Soap Bottle	Flashing green light

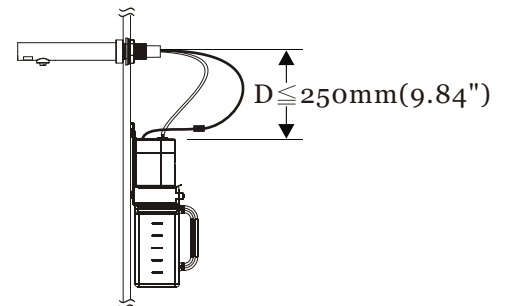
Installation



One hole for spout



Three holes for back plate



Recommended wall thickness:
10-30mm (0.39-1.18")

Faucet

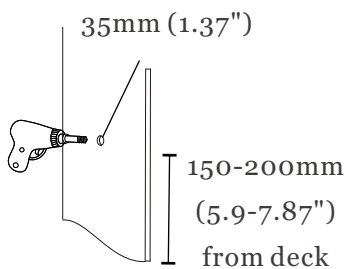
Technical Specification

Material	Stainless Steel #304
Power Source	AC (6V)
Standby Power	Less than 0.1W
Sensing Range	120 mm \pm 20 mm auto detecting, adjustable
Applicable Water Temperature	4-85 °C
Operating Water Pressure	10~100 PSI
Delay Time	0.5-1 second
Timing Protection	One minute auto shut off
Flowing Volume	Less than 3.8 l/min
Drip Proof	IP35
Safety Approval	CE
Packaging	10 faucets/carton. G.W. 13.0kg. Meas. 2.1'

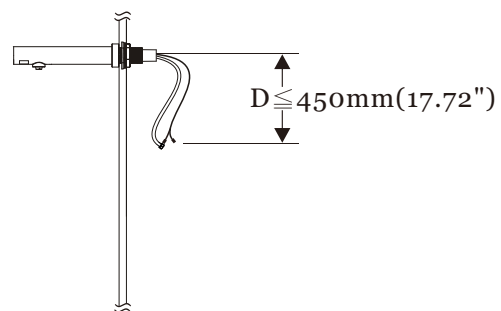
Light Indication

Standby	Solid blue light
Operation	From blue light to red light

Installation



One hole for spout



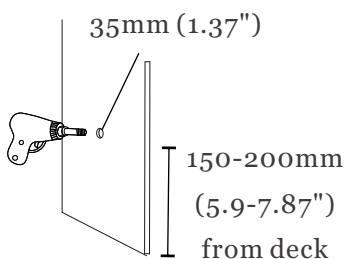
Recommended wall thickness:
10-30mm (0.39-1.18")

Hand Dryer

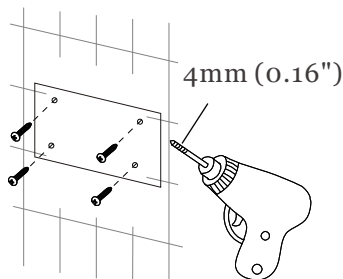
Technical Specification

Material	Stainless Steel #304
Power Source	110V-120Vac, 50/60 Hz, 0.84-1.0kW 220V-240Vac, 50/60 Hz, 0.84-1.0kW
Standby Power	0.3-0.4W
Sensing Range	130 mm \pm 20 mm auto detecting, adjustable
Motor Type	500 W, 22,000-29,000 R.P.M.
Warm Air Speed Output	93-110 m/s [208-246 mi/h]
Dryer Shall Deliver	59 m ³ /h, (35 CFM)
Sound Level	MIN 59.2 dB to 63.8 dB MAX @ 1m
Drying Time	Less than 10-15 seconds
Timing Protection	60 seconds auto shut off
Drip proof	IP35
Isolation	Class 1
Safety Approval	UL, CE, GS, CB, EMC, LVD, WEEE, ROHS
Packaging	1 dryer/carton. G.W. 8.1kg. Meas. 1.7'

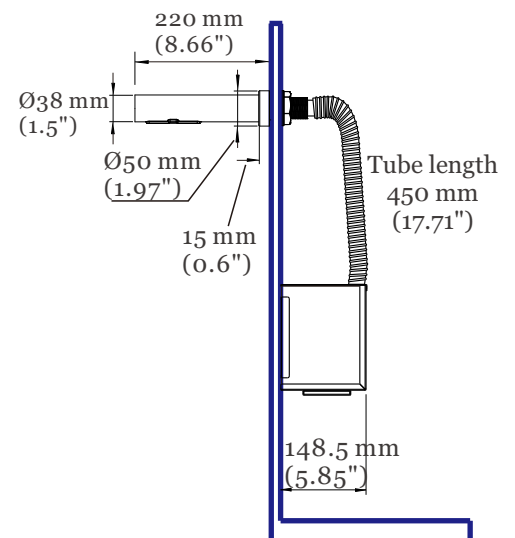
Installation



One hole for spout



Four holes for back plate



Sky Systems Co., Inc.
1825 Taylor Place Ontario, CA 91761
T: (909)923-7040
F: (909)923-7041
www.skysystemscoinc.com